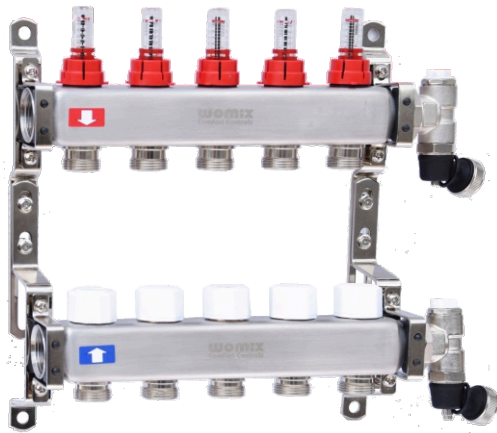


Stainless steel manifold CS-Rot

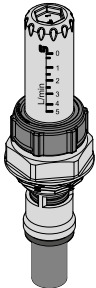
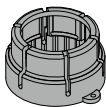


CS-Rot manifolds are made of SS304 stainless steel and are used to connect a specific number of heating or cooling circuits with individual flow regulation/cut-off. In addition, they enable the connection of a mixing and pump group in order to obtain the design temperature for underfloor heating and maintain appropriate operating parameters of the installation by independently powering each heating circuit. They are available with Taconova rotameters 0-5 l/min or 0-2.5 l/min. They are equipped with chrome-plated handles with adjustable spacing and a vent and drain group with an additional mounting nut.

Technical data:

Material:	SS304 non-magnetic stainless steel
Medium:	water or a solution of water and glycol up to 30%
Max. temperature:	70 °C
Max. working pressure:	6 bar
Connections:	boiler side 1" F, installation side 3/4" M
Insert connection:	M30x1.5

Taconova rotameter



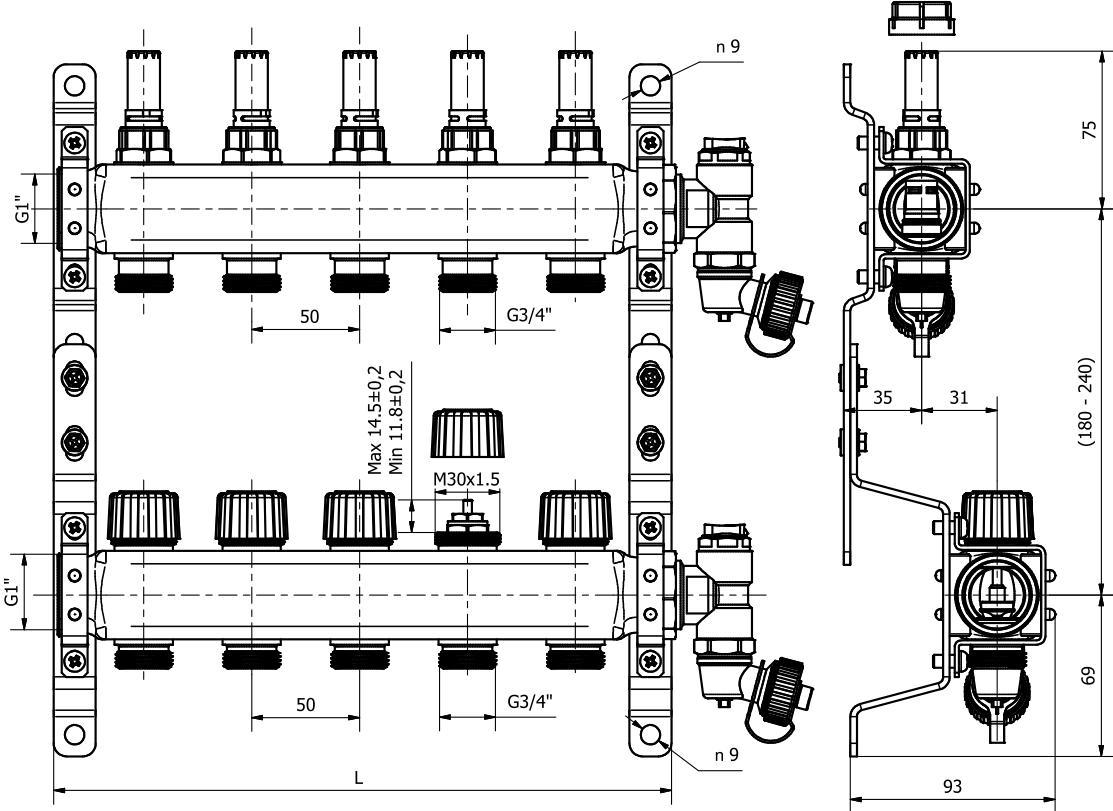
Manifold CS-Rot02 --> rotameter 0 - 2.5 l/min

Manifold CS-Rot05 --> rotameter 0 - 5 l/min

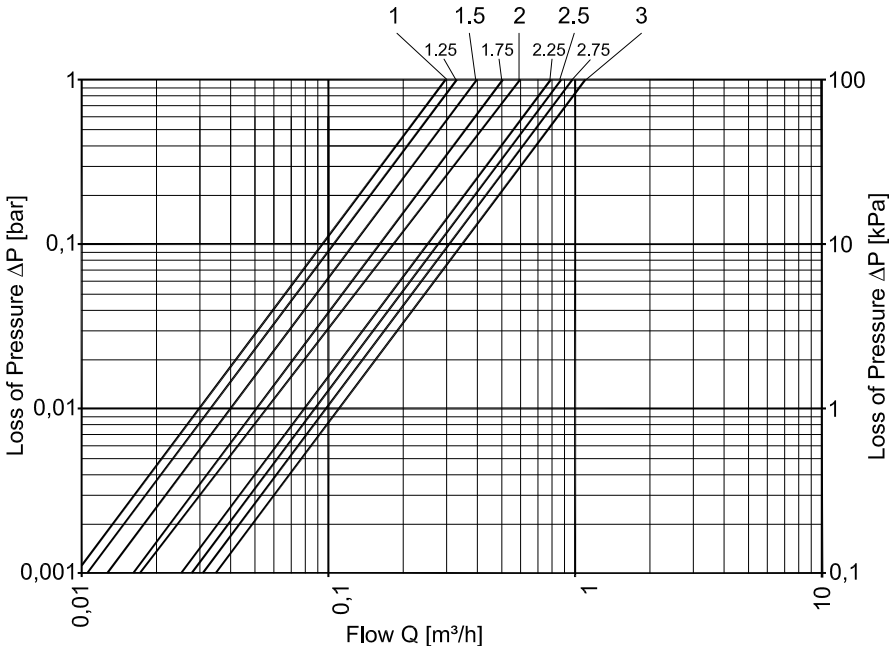
- Accurate and fast flow regulation, without graphs, tables or measuring devices,
- Flow measured directly in l/min,
- The last set setting can be easily recreated thanks to the locking screw,
- The regulating cap can be sealed,
- Regulating valve with the option of cutting off the flow,
- Removable sight glass,
- Vertical or horizontal installation allowed,

Type	Quantity section	L [mm]	CS-Rot05 Rotameter 0-5 l/min	CS-Rot02 Rotameter 0-2,5 l/min
Stainless steel manifold for underfloor heating CS-Rot 2F	2	130	205002	225002
Stainless steel manifold for underfloor heating CS-Rot 3F	3	180	205003	225003
Stainless steel manifold for underfloor heating CS-Rot 4F	4	230	205004	225004
Stainless steel manifold for underfloor heating CS-Rot 5F	5	280	205005	225005
Stainless steel manifold for underfloor heating CS-Rot 6F	6	330	205006	225006
Stainless steel manifold for underfloor heating CS-Rot 7F	7	380	205007	225007
Stainless steel manifold for underfloor heating CS-Rot 8F	8	430	205008	225008
Stainless steel manifold for underfloor heating CS-Rot 9F	9	480	205009	225009
Stainless steel manifold for underfloor heating CS-Rot 10F	10	530	205010	225010
Stainless steel manifold for underfloor heating CS-Rot 11F	11	580	205011	225011
Stainless steel manifold for underfloor heating CS-Rot 12F	12	630	205012	225012

Dimensional diagram

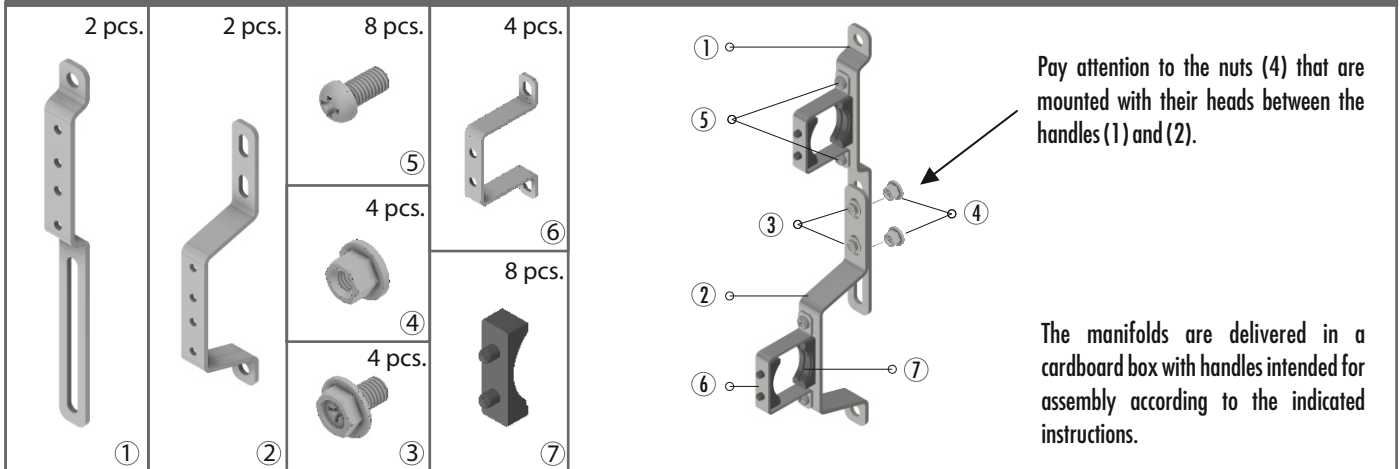


Medium flow



Flow met. turns	1	1,25	1,5	1,75	2	2,25	2,5	2,75	3
Kv	0,29	0,33	0,39	0,48	0,59	0,77	0,87	0,98	1,10

How to install the handle



Thermoelectric actuator **MP VM200**

visualization of valve opening



The MP VM200 thermoelectric actuator is a drive for opening and closing valves on underfloor heating manifolds. The set includes an adapter that allows the device to be mounted on thermostatic valves in CS-Rot manifolds. The adapter allows for quick installation of the actuator only by pressing it and subsequent disassembly of the actuator only by using the disassembly button. The actuator is in the normally closed position, after applying voltage it opens the valve flow.

Technical data:

Actuator version:	normally closed
Voltage:	230 V AC, +10%...-10%, 50/60 Hz
Working power:	2W
Valve opening time:	3 minutes
Actuator stroke:	4mm
Actuator power:	200N

Type	Catalog number
Thermoelectric actuator MP VM200 with adapter for CS-Rot manifolds	401080

Set of straight ball valves with thermometers



The set includes 2 straight ball valves in blue and red with thermometers, 1" gasket connection

Technical data:

Thermometers:	scale 0-80 °C
Connections:	1"

Type	Catalog number
Set of 2 straight ball valves with a thermometer and a gasket for connection with CS manifolds	210035