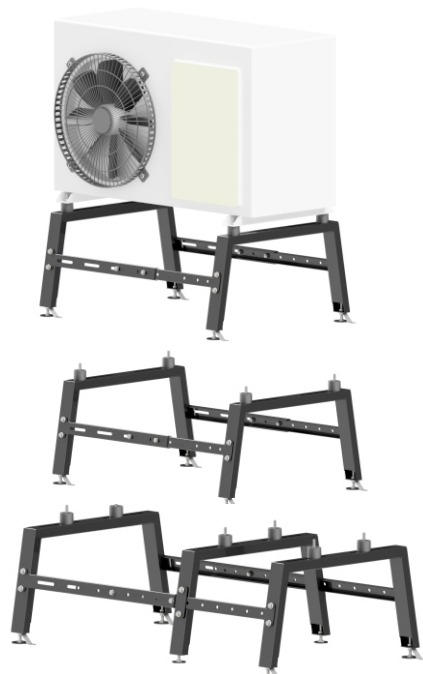


Heat pump or air conditioner WM stand / bracket



The stands (supports) WM II and WM III intended for heat pumps or air conditioners are made of steel. The stability of the stand has been increased by the use of adjustment fasteners on both sides. The design of the stand guarantees that it can be used with any heat pump or air conditioner. The brackets are equipped with vibration isolators to catch vibrations of the device and feet, together with a handle that allows the stand to be anchored. The bracket with the device should be placed on a permanently leveled base that can carry five times the weight of the device. Possible unevenness can be eliminated by a foot with an adjusting screw

Set contains:

- Steel elements of the stand
- Vibro-isolators with nuts
- Adjustable feet with the possibility of anchoring to the ground
- Mounting screws

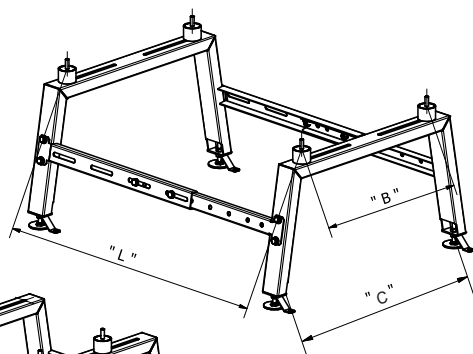
Maximum load on the rack:

for WM II - 320kg
for WM III - 360 kg

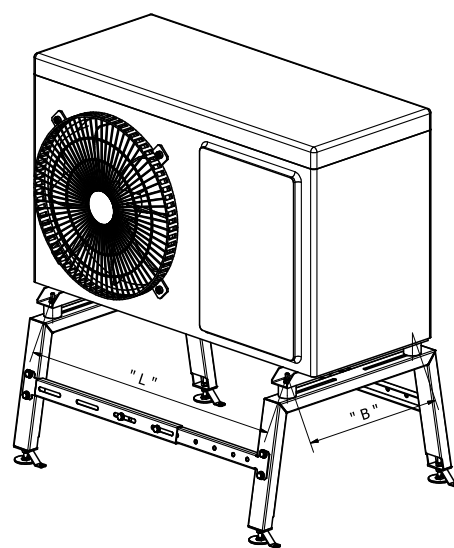
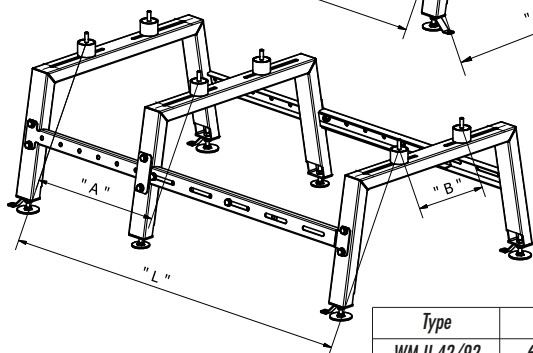
Type	Catalog number
Stand / bracket for the heat pump or air conditioner WM II 42/92	610951
Stand / bracket for the heat pump or air conditioner WM II 52/92	610955
Stand / bracket for the heat pump or air conditioner WM II 52/135	610956
Stand / bracket for the heat pump or air conditioner WM III 42/135	610962
Stand / bracket for the heat pump or air conditioner WM III 52/135	610964

Dimensions:

WM II



WM III



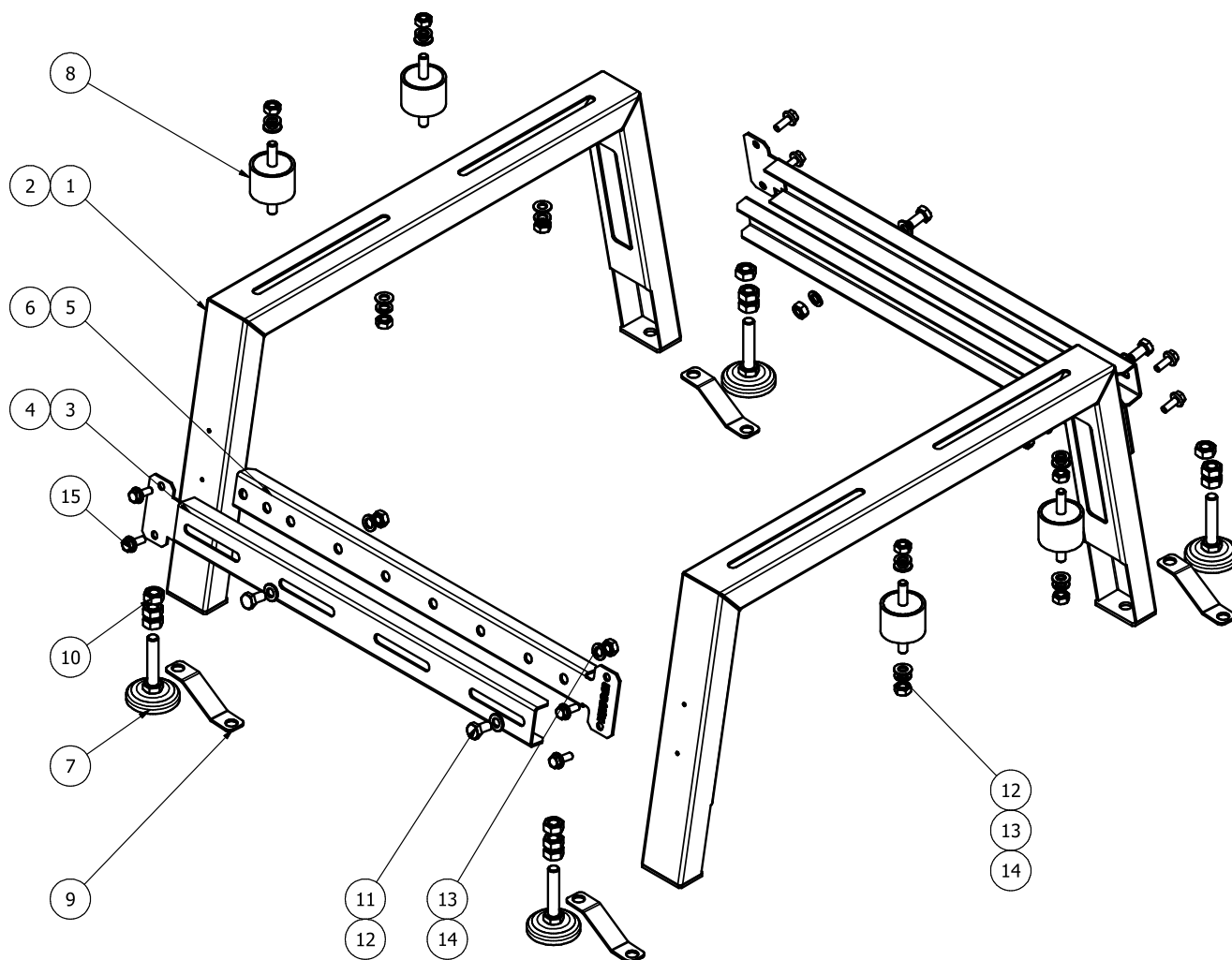
the height of the stands is min 350 mm - max 370 mm

If in doubt, the match of the WM stand to the device used please contact us by e-mail at export@womix.pl

Type	cod.	mounting width „B”	mounting width „C”	mounting length „L”	„A”
WM II 42/92	610951	min. 100 - max. 420 mm	600 mm	min. 500 - max. 920 mm	
WM II 52/92	610955	min. 140 - max. 520 mm	700 mm	min. 500 - max. 920 mm	
WM II 52/135	610956	min. 140 - max. 520 mm	700 mm	min. 830 - max. 1350 mm	
WM III 42/135	610962	min. 100 - max. 420 mm	600 mm	min. 830 - max. 1350 mm	min. 100 - max. 710mm
WM III 52/135	610964	min. 140 - max. 520 mm	700 mm	min. 830 - max. 1350 mm	min. 100 - max. 710mm



Assembly drawing of the WM stand



Elementy składowe:

Bracket



1 2

Anti-vibration mounts



8

Anchoring grip



9

Nut M10



10

Screw M8x16



11

Round washer $\varnothing 8,4$



12

Spring washer $\varnothing 8$



13

Nut M8



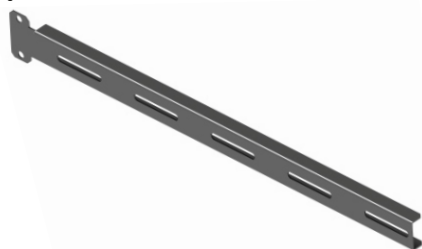
14

Sheet-metal screw M6



15

Regulating frame



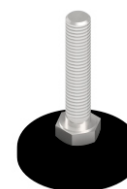
3 4

Regulating frame



5 6

Support foot



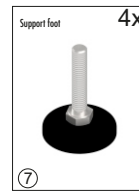
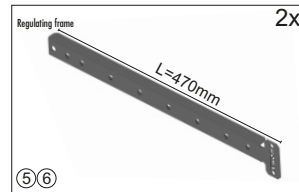
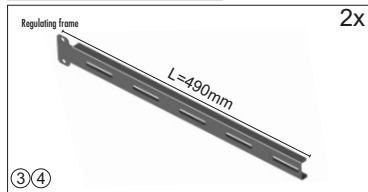
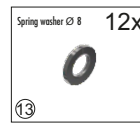
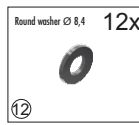
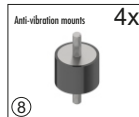
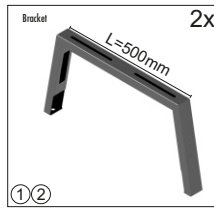
7



WM II 42/92 (cod.:610951)



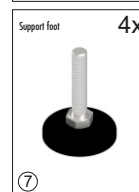
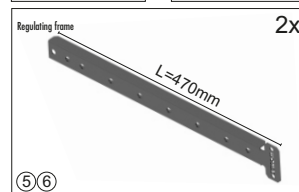
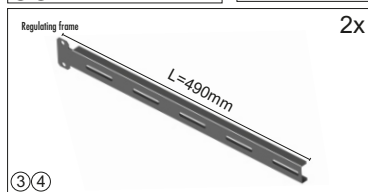
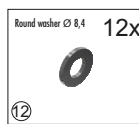
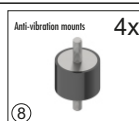
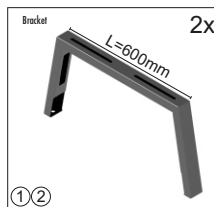
Components:



WM II 52/92 (cod.:610955)



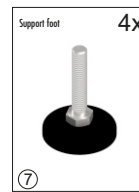
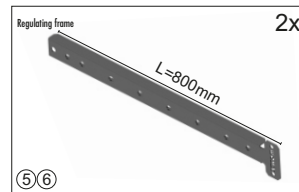
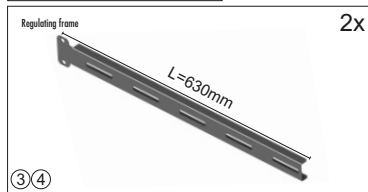
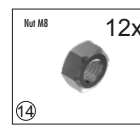
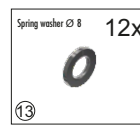
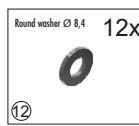
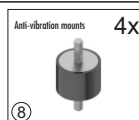
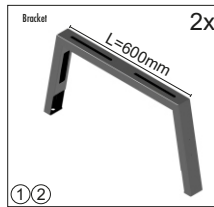
Components:



WM II 52/135 (cod.:610956)



Components:



WM III 42/135 (cod.:610962)

WM III 52/135 (cod.:610964)



Components:

